

**TEOYDP 30**



# **TEON P 03**

**INSTALLATION INSTRUCTIONS**

**EN**

**INSTALLATIONSANLEITUNG**

**DE**

**INSTRUCTIONS D'INSTALLATION**

**FR**

**ISTRUZIONI PER L'INSTALLAZIONE**

**IT**

All local regulations, including those referring to national and European standards, must be observed when installing the product. Assembly and installation of your chosen product must be performed only by an authorized dealer of **Romotop spol. s r.o.** company. This is necessary for the recognition of the warranty and the proper functioning of the product. This product is not suitable as a primary heat source.

### **Instruction manual**

Please read the information and instructions in the Instruction manual carefully.

### **Operating chimney draft**

Operating draft is 12 Pa. Maximum operating chimney draft is 20 Pa. This should be measured during full operation of the product. It is recommended to install a draft regulator, especially when the appliance is equipped with unit for automatic combustion regulation.

### **Authorized fuel**

Dry, lump wood with residual moisture up to 20 %. The stated average fuel consumption must always be observed – 1,69 kg/h. The recommended fuel length is approximately 200-330 mm. Depends on the size of the combustion chamber. Always use at least 2 pieces of wood.

## **Operation of the product**

### **1 Hardening of the paint**

The first heating of the product should take place with a limited amount of smaller pieces of wood (ca ½ the average fuel). Leave the door ajar (approximately 2 cm gap), so that the door cord does not stick to the paint. Also open the air supply to the maximum (Fig. C). Slow process of heating up will prevent paint damage and deformation of materials. After burning the wood on glowing coals, you can proceed to hardening of the paint. Place the allowed fuel dose in the chamber, using smaller logs and pieces. Leave the door ajar (approximately 2 cm). The paint under the door must harden sufficiently. When this dose burns out, carry out at least 2 to 3 additional periods with the allowed fuel dose, now with the door closed and the air supply open to the maximum (Fig. C). Hardening of the paint is accompanied by an odor that persists throughout full hardening process, so described actions should only be carried out with sufficient room ventilation.

### **2 Heating up**

Move the air supply lever to the open position (Fig. C), if there is no automatic combustion regulation active. If the product includes a cast iron grate, open it. Use max. twice amount of the average fuel dose for ignition. First place larger logs on the bottom of the chamber, then layer finer logs of dry piece of wood on them (Fig. 2)

– igniting from above. Use a lighter that is specifically designed for this purpose. If necessary (the fire still did not start after some time), leave the door open for a while (approx. 2 cm), for additional sufficient air supply. Then, during standard heating, always keep the door closed. Do not reload new dose of wood, until the previous batch has completely burned to glowing coals and there are only embers in the chamber, without visible flames.

### **3 Heating and reloading**

To equalize the pressure in the room and the combustion chamber, slightly open the door to approx. 2 cm gap for 10 seconds before each reloading. This will prevent possible escape of ash and smoke into the room. Add the amount of wood that is suitable for your product, see average fuel consumption (Fig. 4). After reloading the wood, always close the door properly. We recommend setting the air supply lever to the optimum position at nominal output (Fig. B, B1). Do not reload new dose until the wood burns to glowing coals.

### **4 Termination of heating process**

Once the wood in the chamber burns out, move the air supply lever to closed position. This will prevent unwanted leakage of accumulated heat into the chimney / outside (Fig. A).



- 1** preparation of fuel for heating
- 2** placements of wood in the chamber
- 3** igniting the wood from above
- 4** stoking



- A** closed
- B** open – heating at nominal output (optimal operation)
- C** open – starting a fire position (putting the product into operation)

- A** closed
- B1** open – heating at nominal output (optimal operation)
- B2** open – primary air closed
- C** open – starting a fire position (putting the product into operation)

**Declared qualities stated**

|  |                                    |                         |                      |                         |
|--|------------------------------------|-------------------------|----------------------|-------------------------|
| Harmonised technical specification   | ✓ EN 13240<br>EN 13229             | EN 16510<br>✓ Ecodesign | ✓ DIN+<br>✓ BImSchV2 | DIBt<br>✓ 15a B-VG 2015 |
| Classification of appliance  | Type BE                            |                         |                      |                         |
| Energy efficiency ( $\eta_{nom}$ )   | 80,6 %                             |                         |                      |                         |
| The energy efficiency index  | 106,9                              |                         |                      |                         |
| Energy label   | A                                  |                         |                      |                         |
| Fuel   | Wood logs                          |                         |                      |                         |
| Fuel length  | 200-330 mm                         |                         |                      |                         |
| Average fuel consumption   | 1,69 kg/h                          |                         |                      |                         |
| Allowed fuel dose  | 2,3 kg/h                           |                         |                      |                         |
| Fuel supply interval   | 1 hour                             |                         |                      |                         |
| Amount of combustion air   | 21,4 m <sup>3</sup> /h             |                         |                      |                         |
| Nominal output ( $P_{nom}$ )   | 5,8 kW                             |                         |                      |                         |
| Hot-water exchanger output ( $P_{w,nom}$ )   | --- kW                             |                         |                      |                         |
| Maximum operating overpressure ( $p_w$ )   | --- bar                            |                         |                      |                         |
| Dry flue gas mass flow rate to calculate the flue gas path                                     | 6,9 g/s                            |                         |                      |                         |
| Flue gas temperature ( $T_{nom}$ )   | 261 °C                             |                         |                      |                         |
| Mean flue gas temperature after throat   | 307 °C                             |                         |                      |                         |
| Flue draught ( $p_{nom}$ )   | 12 Pa                              |                         |                      |                         |
| Chimney temperature class  | T400                               |                         |                      |                         |
| Connection to the common chimney   | Yes                                |                         |                      |                         |
| Storage of fuel in the wood shed area  | No                                 |                         |                      |                         |
| Maximum warming of the wood in the wood shed   | --- °C                             |                         |                      |                         |
| Dust O <sub>2</sub> = 13 % ( $PM_{nom}$ )  | 26 mg/Nm <sup>3</sup>              |                         |                      |                         |
| Emissions of gases of sobustion (CO in the flue gases at O <sub>2</sub> = 13 %) ( $CO_{nom}$ ) | 0,0689 %<br>862 mg/Nm <sup>3</sup> |                         |                      |                         |
| OGC O <sub>2</sub> = 13 % ( $OGC_{nom}$ )  | 50 mg/Nm <sup>3</sup>              |                         |                      |                         |
| NOx O <sub>2</sub> = 13 % ( $NO_{x,nom}$ )   | 114 mg/Nm <sup>3</sup>             |                         |                      |                         |
| Automatic regulation unit of burning   | ---                                |                         |                      |                         |
| Power consumption (W)  | --- W                              |                         |                      |                         |
| Standing air loss (V <sub>h</sub> )  | --- m <sup>3</sup> <sub>N</sub> /h |                         |                      |                         |
| Intermittent operation (INT) / Continuous operation (CON)                                      | INT                                |                         |                      |                         |

**Basic technical data**

|  |                  |                 |
|--|------------------|-----------------|
| Principal dimensions<br>Height (H)   Width (W)   Length (L)          | 1058   900   380 | mm              |
| Combustion chamber dimensions<br>Height (H)   Width (W)   Length (L) | 357   344   276  | mm              |
| Fireplace door dimensions<br>Height (H)   Width (W)   Length (L)     | ---   ---   ---  | mm              |
| Axis height of the rear (side) outlet                                | 947              | mm              |
| Volume of hot-water exchanger  | ---              | l               |
| Flue diameter  | 150              | mm              |
| Diameter of flue throat ( $D_{out}$ )                                | 150              | mm              |
| Diameter of external air connection                                  | 125              | mm              |
| Weight   | 131              | kg              |
| Area of Inlet ventilation grille                                     | ---              | cm <sup>2</sup> |
| Area of Outlet ventilation grille                                    | ---              | cm <sup>2</sup> |

## Distances from flammable materials

with un-insulated flue pipe (provided on the product label)

Note

|                                  |      |    |
|----------------------------------|------|----|
| Back ( $d_R$ )                   | 200  | mm |
| Front ( $d_P$ )                  | 1300 | mm |
| Front to the floor ( $d_F$ )     | ---  | mm |
| Side ( $d_S$ )                   | 250  | mm |
| Side with glass ( $d_{S1}$ )     | ---  | mm |
| Side – niche ( $d_{S2}$ )        | ---  | mm |
| Side – location 45° ( $d_{S3}$ ) | ---  | mm |
| Side radiation ( $d_L$ )         | ---  | mm |
| From the floor ( $d_B$ )         | ---  | mm |
| From the ceiling ( $d_C$ )       | 800  | mm |

## Distances from flammable materials with insulated flue pipe \*\*

|                |     |    |
|----------------|-----|----|
| Back ( $d_R$ ) | --- | mm |
| Side ( $d_S$ ) | --- | mm |

## Distances from nonflammable materials

|                |     |    |
|----------------|-----|----|
| Back ( $d_R$ ) | --- | mm |
| Side ( $d_S$ ) | --- | mm |



\* All local regulations, including regulations relating to national and European standards, must be observed during the installation and operation of the product.

\*\* The distance assumes the use of an insulated flue pipe with a minimum insulation thickness of 25 mm up to the product.

## Notice



If the products are installed in areas where air is suctioned by fans, hoods, heating or ventilation equipment, external air intake (EAI) must be ensured. Turn off all ventilation devices in the house before the planned stoking.

The product must be installed on floors with adequate load bearing capacity.

Adequate access for cleaning and maintenance of your product, flue and chimney must be provided during installation, unless the product can be cleaned from another location such as the roof or a dedicated door.

The product and its flue gas paths must be regularly and thoroughly rechecked and cleaned before and after the heating season.



Read the general instructions carefully.

## The product label

**1** LOGO

**2** Company  
WEB

**3** CE 23

**4** TYPE  
THE MODEL NUMBER

**5** Room heater for residential buildings – with water heating.  
Raumheizung für Wohngebäude – mit Warmwasserbereitung.  
Chauffage des locaux pour les bâtiments résidentiels – avec chauffage de l'eau.  
Riscaldatore della stanza per edifici residenziali – con riscaldamento dell'acqua.

**6** Use only these recommended fuels. | Verwenden Sie nur diese empfohlenen Brennstoffe.  
N'utilisez que ces combustibles recommandés. | Usare solo questi carburanti raccomandati.  
Wood logs | Scheitholz | Bûches | Legna

**7** Classification of appliance | Klassifizierung des Geräts | Classification  
de l'appareil | Classificazione dell'apparecchio Type B (1a)

**8** Standards | Normen  
Normes | Norme CSN EN 13240 / CSN EN 13229 | EN 16510-1 | Ecodesign | BimSchV2 | DIN+  
15a B-VG 2015.

**9**

|                                    |                   |     |        |
|------------------------------------|-------------------|-----|--------|
| $P_{nom}$                          | kW                |     |        |
| $P_{wnom}$                         | kW                |     |        |
| $\eta_{nom}$                       | %                 |     | $\geq$ |
| $CO_{nom}$ (13 % O <sub>2</sub> )  | mg/m <sup>3</sup> |     | $\leq$ |
| $NO_{xnom}$ (13 % O <sub>2</sub> ) | mg/m <sup>3</sup> |     | $\leq$ |
| $OGC_{nom}$ (13 % O <sub>2</sub> ) | mg/m <sup>3</sup> |     | $\leq$ |
| $PM_{nom}$ (13 % O <sub>2</sub> )  | mg/m <sup>3</sup> |     | $\leq$ |
| $p_{nom}$                          | Pa                |     |        |
| $T_{nom}$                          | °C                |     |        |
| $V_h$                              | m <sup>3</sup> /h | NPD |        |
| $d_R$                              | mm                |     |        |
| $d_S$                              | mm                |     |        |
| $d_C$                              | mm                |     |        |
| $d_P$                              | mm                |     |        |
| $d_F$                              | mm                |     |        |
| H                                  | mm                |     |        |
| W                                  | mm                |     |        |
| L                                  | mm                |     |        |
| CON, INT                           |                   |     |        |
| $d_{out}$                          | mm                |     |        |
| $p_w$                              | bar               |     |        |
| W                                  | W                 | NPD |        |

**10** Read and follow assembly and instructions manual. Use only recommended fuel. Not for continuous heating. Information about the connection in a shared flue can be found in the Installation instruction.  
Lesen und befolgen Sie der Aufstellungs- und Bedienungsanleitung. Verwenden Sie nur vorgeschriebene Brennstoffe. Die Feuerstätte ist für Zeitbrand geeignet. Informationen über den Anschluss an einen gemeinsamen Schornstein finden Sie in der Installationsanleitung.  
Veuillez lire et suivre attentivement le Mode d'emploi avant de procéder à la première mise en chauffe. N'utilisez que du combustible recommandé. L'appareil n'est pas conçu pour un chauffage continu. Les informations concernant le raccordement dans un conduit de fumée commun se trouvent dans le Mode d'emploi.  
Leggere e seguire il manuale di montaggio e istruzioni. Usare solo il combustibile raccomandato. Non per il riscaldamento continuo. Le informazioni sul collegamento in una canna fumaria comune si trovano nelle Istruzioni per l'installazione.

**11** STORCH  
WERK ROMOTOP  
BEANTRAGT /  
Z - 43.12 - 349  
SZU, NB 1015 /  
RRF, NB 1625

**12** DOP/PCR doc.

**13** Serial number | Fertigungsnummer  
Numéro de série | Numero di serie

**14** NUMBER

- The manufacturer's name or registered trade mark
- Company headquarters, website
- CE mark of conformity  
The digits indicate the year of issue of the certificate
- The type and / or the model number designation to enable the appliance to be identified
- Product specifications
- Recommended fuel
- Classification of appliance  
Type B (EN 16510-10), 1a (current designation)
- Applicable standards
- Table of values

$P_{nom}$  – nominal output  
 $P_{wnom}$  – hot-water exchanger output  
 $\eta_{nom}$  – energy efficiency  
 $CO_{nom}$  – CO emissions at 13 % O<sub>2</sub>  
 $NO_{xnom}$  – NO<sub>x</sub> at 13 % O<sub>2</sub>  
 $OGC_{nom}$  – OGC at 13 % O<sub>2</sub>  
 $PM_{nom}$  – dust at 13 % O<sub>2</sub>  
 $p_{nom}$  – flue draught  
 $T_{nom}$  – flue gas temperature  
 $V_h$  – standing air loss

### Distance from flammable materials:

$d_R$  – back  
 $d_S$  – side

$d_C$  – from the ceiling  
 $d_P$  – front  
 $d_F$  – front to the floor

### Principal dimensions:

H – height  
W – width  
L – depth (length)  
CON – the appliance is capable of continuous operation  
INT – the appliance is capable of intermittent operation  
 $d_{out}$  – diameter of the flue throat  
 $p_w$  – maximum operating overpressure  
W – power consumption (regulation SIC, EHC)  
NPD (No Performance Determined) – an international abbreviation that can be used if no property or parameters are specified. The label complies with EU Regulation No. 305/2011.

- Instructions
- RLU Certification (DIBt):  
Manufacturer  
Certification number  
Name of test centre / number of test report
- Document: DOP / PCR
- The serial number
- Barcode

Bei der Installation des Produkts müssen alle örtlichen Vorschriften, einschließlich derjenigen, die sich auf nationale und europäische Normen beziehen, beachtet werden. Die Montage und Installation des von Ihnen gewählten Produkts darf nur von einem autorisierten Händler der **Romotop spol. s r.o.** durchgeführt werden, damit die Garantie anerkannt wird und das Produkt einwandfrei funktioniert. Dieses Produkt ist nicht als Hauptwärmequelle zum Heizen geeignet.

## Gebrauchsanweisungen

Bitte beachten Sie die Informationen und Hinweise in der Allgemeinen.

## Kaminzug

Betrieblicher Kaminzug 12 Pa.  
Maximaler Betriebszug 20 Pa.  
Der Kaminzug wird während dem Betrieb gemessen. Wir empfehlen einen Zugbegrenzer zu installieren. Dieser ist beim Heizen mit einer automatischen Verbrennungsregelung notwendig.

## Zugelassener Brennstoff

Trockenes Scheitholz mit einer Restfeuchte von bis zu 20 %. Der durchschnittliche Verbrauch von – 1,69 kg/h ist stets einzuhalten. Die empfohlene Länge in Abhängigkeit von der Brennkammergröße beträgt ca. 200-330 mm. Es sind stets mindestens zwei Holzstücke zu benutzen.

## Betrieb

### 1 Lack einbrennen

Führen Sie das erste Anfeuern mit einer kleineren Holzmenge (feineres Holz, ca. ½ der durchschnittlichen Brennstoffmenge) durch. Lassen Sie die Brennkammertür einen Spalt breit offen (ca. 2 cm), damit die Dichtungsschnur nicht am Lack kleben bleibt und öffnen Sie komplett die Luftzufuhr (Abb. C). Schonendes Heizen verhindert Lackschäden und Verformungen. Nach dem das Holz bis zur Glut verbrannt ist, können Sie mit dem Einbrennen fortfahren. Befüllen Sie die Brennkammer mit der zulässigen Brennstoffmenge (feineres Holz). Lassen Sie die Tür einen Spalt breit offen (etwa 2 cm). Der Lack an der Tür muss ausreichend aushärten. Wiederholen Sie den Vorgang mindestens weitere 2–3 Male mit der zulässigen Brennstoffmenge und geöffneter Luftzufuhr (Abb. C.). Beim Einbrennen kommt es zur Lackausgasungen. Sorgen Sie deshalb während der gesamten Einbrennphase für ausreichende Belüftung des Stellraumes.

### 2 Anheizen

Öffnen Sie den Luftschieber (Abb. C), aber nur, wenn Ihr Kaminofen nicht mit einer automatischen Abbrandsteuerung ausgestattet ist. Falls vorhanden, öffnen Sie den Gusseisen-Rost. Benutzen Sie zum Anheizen die max. zweifache durchschnittliche Brennstoffmenge. Legen Sie zuerst größere trockene Holzstücke auf den Boden der Brennkammer und stapeln feineres

Anzündholz darüber (Abb. 2) – Anzünden von oben. Verwenden Sie zum Anzünden einen geeigneten Zünder. Falls nötig, lassen Sie die Tür für kurze Zeit leicht geöffnet (ca. 2 cm), damit das Feuer genügend Luft zum Entflammen bekommt. Während des Regelbetriebs ist die Brennkammertür stets geschlossen zu halten. Legen Sie erst wieder Holz nach, wenn die vorherige Holzmenge bis zur Glut abgebrannt ist und die Flammen erloschen sind.

### 3 Heizen und Nachlegen

Öffnen Sie zuerst spaltbreit die Feuerraumtür und warten etwa 10 Sekunden, um den Druck im Raum auszugleichen. Dadurch wird ein mögliches Austreten von Asche und Rauch in den Raum verhindert. Legen Sie nur die für das Produkt geeignete Holzmenge nach, siehe durchschnittlichen Brennstoffverbrauch (Abb. 4). Schließen Sie danach die Feuerraumtür. Es wird empfohlen, den Luftregler auf die optimale Position bei Standardmenge einzustellen (Abb. B, B1). Legen Sie erst nach, wenn das Holz bis zur Glut abgebrannt ist.

### 4 Heizen beenden

Um ein unerwünschtes Entweichen der kumulierten Wärme in den Schornstein zu verhindern, empfehlen wir Ihnen den Luftregler nach dem Ausbrennen der Brennkammer zu schließen (Abb. A).



- 1** Brennstoff vorbereiten
- 2** Holz in der Brennkammer stapeln
- 3** Anzünden von oben
- 4** Nachlegen



- A** geschlossen
- B** offen – Heizen im Nennwärmeleistung (optimaler Betrieb)
- C** offen – Position bei Inbetriebnahme (Anheizen)

- A** geschlossen
- B1** offen – Heizen im Nennwärmebereich
- B2** offen – Primärluft geschlossen
- C** offen – Position bei Inbetriebnahme (Anheizen)



**Deklarierte Produkteigenschaften**

|  |                                    |                         |                      |                         |
|--|------------------------------------|-------------------------|----------------------|-------------------------|
| Harmonisierte technische Spezifikation                                     | ✓ EN 13240<br>EN 13229             | EN 16510<br>✓ Ecodesign | ✓ DIN+<br>✓ BImSchV2 | DIBt<br>✓ 15a B-VG 2015 |
| Produktklassifizierung   | Type BE                            |                         |                      |                         |
| Energiewirkungsgrad ( $\eta_{nom}$ )                                       | 80,6 %                             |                         |                      |                         |
| Energieeffizienzindex  | 106,9                              |                         |                      |                         |
| Energielabel   | A                                  |                         |                      |                         |
| Brennstoff   | Scheitholz                         |                         |                      |                         |
| Brennstofflänge  | 200-330 mm                         |                         |                      |                         |
| Durchschnittlicher Brennstoffverbrauch                                     | 1,69 kg/h                          |                         |                      |                         |
| Zulässiger Brennstoffverbrauch   | 2,3 kg/h                           |                         |                      |                         |
| Brennstofflieferintervall  | 1 Stunde                           |                         |                      |                         |
| Verbrennungsluftmenge  | 21,4 m <sup>3</sup> /h             |                         |                      |                         |
| Nennwärmeleistung ( $P_{nom}$ )  | 5,8 kW                             |                         |                      |                         |
| Wärmetauscherleistung ( $P_{Wnom}$ )                                       | --- kW                             |                         |                      |                         |
| Maximaler Betriebsüberdruck ( $p_w$ )                                      | --- bar                            |                         |                      |                         |
| Rauchgasmassenstrom (trocken) für die Berechnung der Rauchgaswege          | 6,9 g/s                            |                         |                      |                         |
| Durchschnittliche Abgastemperatur ( $T_{nom}$ )                            | 261 °C                             |                         |                      |                         |
| Durchschnittliche Rauchgastemperatur hinter dem Stutzen                    | 307 °C                             |                         |                      |                         |
| Förderdruck ( $p_{nom}$ )  | 12 Pa                              |                         |                      |                         |
| Temperaturklasse   | T400                               |                         |                      |                         |
| Mehrfachbelegung   | Ja                                 |                         |                      |                         |
| Lagerung von Brennstoff im Holzfach  | Nein                               |                         |                      |                         |
| Maximale Erwärmung des Holzes im Holzfach                                  | --- °C                             |                         |                      |                         |
| Feinstaub O <sub>2</sub> = 13 % ( $PM_{nom}$ )                             | 26 mg/Nm <sup>3</sup>              |                         |                      |                         |
| Abgasemission (CO in den Abgasen bei O <sub>2</sub> = 13 %) ( $CO_{nom}$ ) | 0,0689 %<br>862 mg/Nm <sup>3</sup> |                         |                      |                         |
| OGC O <sub>2</sub> = 13 % ( $OGC_{nom}$ )                                  | 50 mg/Nm <sup>3</sup>              |                         |                      |                         |
| NO <sub>x</sub> O <sub>2</sub> = 13 % ( $NO_{xnom}$ )                      | 114 mg/Nm <sup>3</sup>             |                         |                      |                         |
| Automatische Abbrandsteuerung  | ---                                |                         |                      |                         |
| Stromverbrauch (W)   | --- W                              |                         |                      |                         |
| Ständiger Luftverlust ( $V_h$ )  | --- m <sup>3</sup> <sub>N</sub> /h |                         |                      |                         |
| Intervallbetrieb (INT) / Dauerbetrieb (CON)                                | INT                                |                         |                      |                         |

**Technische Grunddaten**

|   |                  |                 |
|---|------------------|-----------------|
| Hauptabmessungen<br>Höhe (H)   Breite (W)   Tiefe (L)             | 1058   900   380 | mm              |
| Abmessungen der Brennkammer<br>Höhe (H)   Breite (W)   Tiefe (L)  | 357   344   276  | mm              |
| Abmessungen der Feuerraumtür<br>Höhe (H)   Breite (W)   Tiefe (L) | ---   ---   ---  | mm              |
| Achshöhe hinterer (seitlichen) Rauchrohanschluss                  | 947              | mm              |
| Volumen Wärmetauscher   | ---              | l               |
| Rauchrohrdurchmesser  | 150              | mm              |
| Abgasstutzen (D <sub>out</sub> )                                  | 150              | mm              |
| Durchmesser zentrale Luftzufuhr                                   | 125              | mm              |
| Gewicht   | 131              | kg              |
| Fläche Zuluftgitter   | ---              | cm <sup>2</sup> |
| Fläche Abluftgitter   | ---              | cm <sup>2</sup> |

## Abstand zu brennbaren Materialien

mit unisoliertem Rauchrohr (auf dem Typenschild angegeben)

Bemerkung

|                                       |      |    |
|---------------------------------------|------|----|
| Rückwand ( $d_R$ )                    | 200  | mm |
| Strahlungsbereich ( $d_P$ )           | 1300 | mm |
| Strahlungsbereich zum Boden ( $d_F$ ) | ---  | mm |
| Seitenwände ( $d_S$ )                 | 250  | mm |
| Seite mit Glas ( $d_{S1}$ )           | ---  | mm |
| Seite – Nische ( $d_{S2}$ )           | ---  | mm |
| Seite – Ausrichtung 45° ( $d_{S3}$ )  | ---  | mm |
| Seitliche Strahlung ( $d_L$ )         | ---  | mm |
| Von dem Boden ( $d_B$ )               | ---  | mm |
| Von der Decke ( $d_C$ )               | 800  | mm |

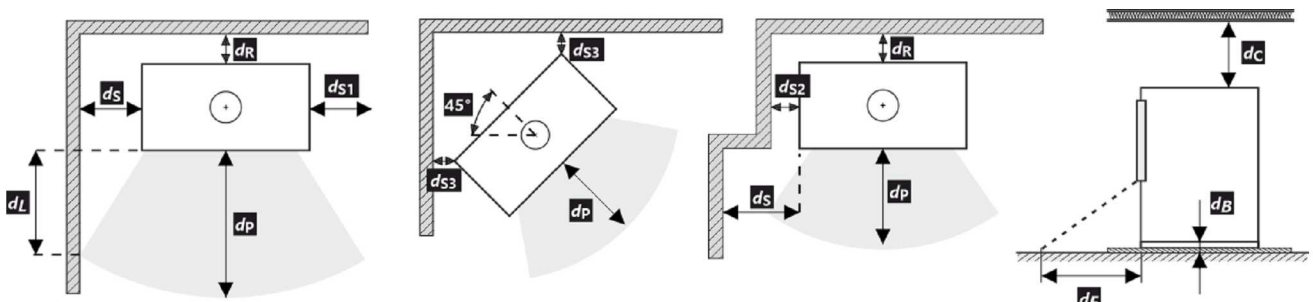
## Abstand zu brennbaren Materialien mit isoliertem Rauchrohr

\*\*

|                       |     |    |
|-----------------------|-----|----|
| Rückwand ( $d_R$ )    | --- | mm |
| Seitenwände ( $d_S$ ) | --- | mm |

## Abstand zu nicht brennbaren Materialien

|                       |     |    |
|-----------------------|-----|----|
| Rückwand ( $d_R$ )    | --- | mm |
| Seitenwände ( $d_S$ ) | --- | mm |



- \* Bei der Installation und dem Betrieb des Ofens sind alle örtlichen Vorschriften sowie nationale und europäische Normen zu beachten.
- \*\* Der Abstand setzt die Verwendung eines isolierten Abgasrohrs mit einer Mindestdämmstärke von 25 mm bis zum Produkt voraus.

## Warnhinweise



Bei Installation in Räumen mit Ventilatoren, Abzugshauben, Lüftungs-, Heizungs- oder Belüftungsanlagen muss eine ausreichende Luftzufuhr (CPV) gewährleistet sein. Schalten Sie alle Lüftungsanlagen in Ihrer Wohnung vor dem Nachlegen aus.

Prüfen Sie vor der Montage die Tragfähigkeit der Unterkonstruktion.

Wählen Sie den Aufstellungsort so aus, dass ausreichend Platz zur Reinigung und Instandhaltung vom Kaminofen, Rauchrohr und Schornstein vorhanden ist, falls die Reinigung nicht von anderen Stellen – wie z.B. vom Dach – durchgeführt werden kann.

Produkt und seine Abgasleitungen sollten regelmäßig vor und nach der Heizperiode überprüft und gereinigt werden.



Lesen Sie die allgemeine Bedienungsanleitung sorgfältig durch.

## Typenschild

**1** LOGO

**2** Company  
WEB

**3** CE 23

**4** TYPE  
THE MODEL NUMBER

**5** Room heater for residential buildings – with water heating.  
Raumheizung für Wohngebäude – mit Warmwasserbereitung.  
Chauffage des locaux pour les bâtiments résidentiels – avec chauffage de l'eau.  
Riscaldatore della stanza per edifici residenziali – con riscaldamento dell'acqua.

**6** Use only these recommended fuels. | Verwenden Sie nur diese empfohlenen Brennstoffe.  
N'utilisez que ces combustibles recommandés. | Usare solo questi carburanti raccomandati.  
Wood logs | Scheitholz | Bûches | Legna

**7** Classification of appliance | Klassifizierung des Geräts | Classification  
de l'appareil | Classificazione dell'apparecchio Type B (1a)

**8** Standards | Normen  
Normes | Norme CSN EN 13240 / CSN EN 13229 | EN 16510-1 | Ecodesign | BimSchV2 | DIN+  
15a B VG 2015:

**9**

|                                    |                   |     |        |
|------------------------------------|-------------------|-----|--------|
| $P_{nom}$                          | kW                |     |        |
| $P_{wnom}$                         | kW                |     |        |
| $\eta_{nom}$                       | %                 |     | $\geq$ |
| $CO_{nom}$ (13 % O <sub>2</sub> )  | mg/m <sup>3</sup> |     | $\leq$ |
| $NO_{xnom}$ (13 % O <sub>2</sub> ) | mg/m <sup>3</sup> |     | $\leq$ |
| $OGC_{nom}$ (13 % O <sub>2</sub> ) | mg/m <sup>3</sup> |     | $\leq$ |
| $PM_{nom}$ (13 % O <sub>2</sub> )  | mg/m <sup>3</sup> |     | $\leq$ |
| $P_{nom}$                          | Pa                |     |        |
| $T_{nom}$                          | °C                |     |        |
| $V_h$                              | m <sup>3</sup> /h | NPD |        |
| $d_R$                              | mm                |     |        |
| $d_S$                              | mm                |     |        |
| $d_C$                              | mm                |     |        |
| $d_P$                              | mm                |     |        |
| $d_F$                              | mm                |     |        |
| H                                  | mm                |     |        |
| W                                  | mm                |     |        |
| L                                  | mm                |     |        |
| CON, INT                           |                   |     |        |
| $d_{out}$                          | mm                |     |        |
| $P_w$                              | bar               |     |        |
| W                                  | W                 | NPD |        |

**10** Read and follow assembly and instructions manual. Use only recommended fuel. Not for continuous heating. Information about the connection in a shared flue can be found in the Installation instruction.  
Lesen und befolgen Sie der Aufstellungs- und Bedienungsanleitung. Verwenden Sie nur vorgeschriebene Brennstoffe. Die Feuerstätte ist für Zeitbrand geeignet. Informationen über den Anschluss an einen gemeinsamen Schornstein finden Sie in der Installationsanleitung.  
Veuillez lire et suivre attentivement le Mode d'emploi avant de procéder à la première mise en chauffe. N'utilisez que du combustible recommandé. L'appareil n'est pas conçu pour un chauffage continu. Les informations concernant le raccordement dans un conduit de fumée commun se trouvent dans le Mode d'emploi.  
Leggere e seguire il manuale di montaggio e istruzioni. Usare solo il combustibile raccomandato. Non per il riscaldamento continuo. Le informazioni sul collegamento in una canna fumaria comune si trovano nelle Istruzioni per l'installazione.

**11** STORCH  
WERK ROMOTOP  
BEANTRAGT /  
Z - 43.12 - 349  
SZU, NB 1015 /  
RRF, NB 1625

**12** DOP/CPR doc.

**13** Serial number | Fertigungsnummer  
Numéro de série | Numero di serie

**14** NUMBER

1. Herstellername oder eingetragene Marke
2. Firmensitz, Website
3. CE-Kennzeichnung  
Jahr der Produktzertifizierung
4. Typ und/oder Modellnummer oder Bezeichnung
5. Produktspezifikation
6. Empfohlene Brennstoffe
7. Produktklassifizierung  
Type B (EN 16510), 1a Strombezeichnung
8. Gültige Normen
9. Wertetabelle

$P_{nom}$  – Nennleistung  
 $P_{wnom}$  – Nennleistung Wärmetauscher  
 $\eta_{nom}$  – Effizienz  
 $CO_{nom}$  – CO-Emissionen bei 13 % O<sub>2</sub>  
 $NO_{xnom}$  – NO<sub>x</sub> bei 13 % O<sub>2</sub>  
 $OGC_{nom}$  – OGC bei 13 % O<sub>2</sub>  
 $PM_{nom}$  – Feinstaub bei 13 % O<sub>2</sub>  
 $p_{nom}$  – Förderdruck  
 $T_{nom}$  – Abgastemperatur  
 $V_h$  – Dichtheit (standing air loss)

### Sicherheitsabstände von brennbaren Materialien:

$d_R$  – hinten  
 $d_S$  – seitlich

$d_C$  – decke  
 $d_P$  – vorne  
 $d_F$  – vorne Boden

### Produktmaße:

H – Höhe  
W – Breite  
L – Tiefe  
CON – Produkt ist für den Dauerbetrieb geeignet  
INT – Produkt ist für den Intervallbetrieb geeignet  
 $D_{out}$  – Durchmesser Abgasstutzen  
 $p_w$  – Maximaler Betriebsdruck  
W – Stromverbrauch (Abbrandsteuerung SIC, EHC)  
NPD (No Performance Determined) – wenn keine Leistung aufgeführt ist oder Parameter angegeben sind.  
Das Etikett entspricht der EU-Verordnung Nr. 305/2011.

10. Instruktionen
11. RLU-Zertifizierung (DIBT):  
Hersteller  
Zertifizierungsnummer  
Name Prüfstätte / Nummer Prüfbericht
12. Leistungserklärung
13. Fertigungsnummer = Seriennummer des Geräts (SN)
14. Strichcode

Toutes les réglementations locales, y compris celles faisant référence aux normes nationales et européennes, doivent être respectées lors de l'installation du produit. Le montage et l'installation du produit que vous avez choisi ne doivent être effectués que par un revendeur agréé de **Romotop spol. s r.o.**, pour que la garantie soit honorée et que le produit fonctionne correctement. Ce produit ne convient pas comme source de chaleur principale du chauffage.

### Mode d'emploi

Veillez lire attentivement toutes les informations et instructions figurant dans le mode d'emploi.

### Tirage de la cheminée en fonctionnement

Le tirage de fonctionnement est de 12 Pa. Le tirage maximal de fonctionnement est de 20 Pa. Il est mesuré lorsque le produit est en plein fonctionnement. Il est recommandé d'installer un régulateur de tirage, en particulier lorsque l'appareil est équipé d'une unité de régulation automatique de la combustion.

### Combustible autorisé

Le bois coupé en morceaux et sec dont l'humidité résiduelle ne doit pas dépasser 20 %. La consommation moyenne de combustible indiquée doit toujours être respectée – 1,69 kg/h. La longueur recommandée des bûches est d'environ 200-330 mm. Cela dépend de la taille de la chambre de combustion. Utilisez toujours au moins 2 morceaux de bois.

## Fonctionnement du produit

### 1 Durcissement de la peinture

Le premier chauffage du produit doit se faire avec une quantité limitée de petits morceaux de bois (environ ½ de la quantité moyenne). Il faut laisser la porte entrouverte (espace d'environ 2 cm), afin que le cordon de la porte ne colle pas à la peinture. Ouvrez également l'arrivée d'air au maximum (Fig. C). La lenteur du processus de chauffage évitera les fissures dans les briques d'argile réfractaire, les dommages à la peinture et la déformation des matériaux. Une fois que le combustible a brûlé sur les charbons, vous pouvez procéder au durcissement de la peinture. Chargez le foyer avec la quantité autorisée de combustible (le double de la quantité autorisée), en utilisant des bûches et des morceaux plus petits. Laissez la porte légèrement entrouverte (environ 2 cm). La peinture sous la porte doit être suffisamment durcie. Lorsque ce bois a brûlé, effectuez d'autres chargements, 2 ou 3 au minimum avec une quantité autorisée de combustible, désormais avec la porte refermée et l'arrivée d'air ouverte au maximum (Fig. C). Le durcissement de la peinture s'accompagne d'une odeur qui persiste pendant toute la durée du durcissement de la peinture, donc n'effectuez ce processus qu'avec une ventilation suffisante de la pièce.

### 2 Mise en chauffe

Placez le levier d'alimentation en air en position ouverte (Fig. C), si la régulation automatique de la combustion n'est pas active. Si le produit comprend une grille en fonte, ouvrez-la. Pour l'allumage utilisez au max. double de la quantité de combustible

moyenne. Placez d'abord les grosses bûches au fond de la chambre, puis superposez des bûches plus fines de bois sec (Fig. 2) – allumer le feu par le haut. Utilisez un briquet spécialement conçu à cet effet. Si nécessaire (le feu n'a toujours pas démarré après un certain temps), laissez la porte ouverte pendant un certain temps (environ 2 cm), pour un apport d'air supplémentaire suffisant. Ensuite, avec le chauffage standard, il faut toujours garder la porte fermée. N'ajoutez pas de combustible pendant le feu jusqu'à ce que le bois soit complètement brûlé jusqu'aux braises.

### 3 Chauffage et chargement

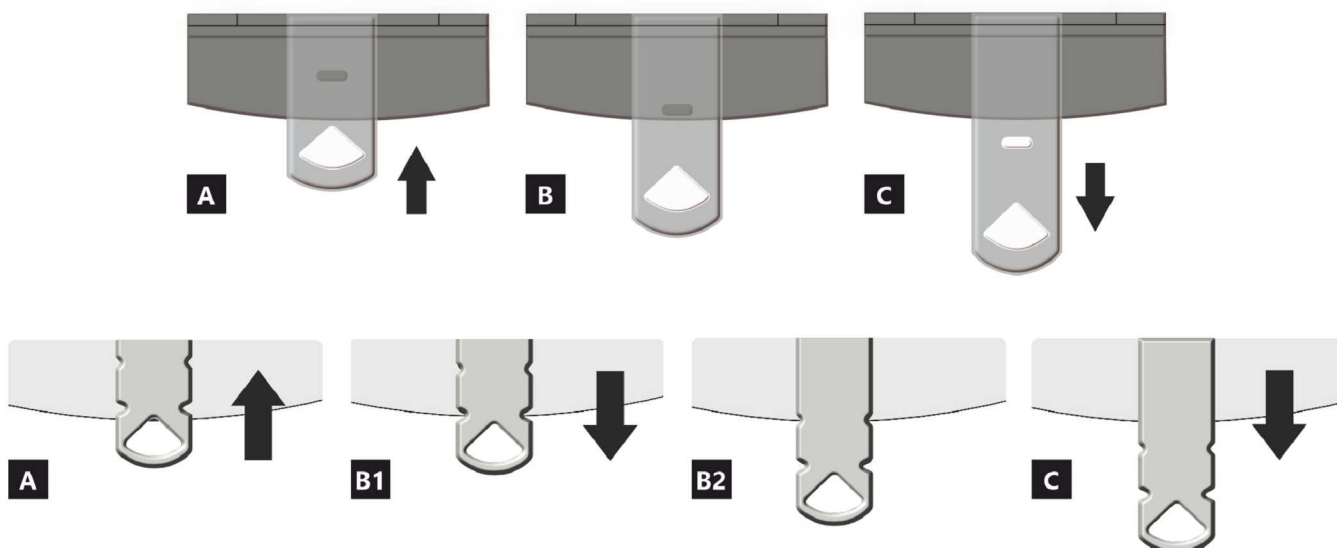
Lors du chargement, ouvrez la porte du poêle d'environ 2 cm et attendez environ 10 secondes pour égaliser la pression dans la pièce. Cela permet d'éviter les fuites éventuelles de cendres et de fumée dans la pièce. N'ajoutez que la quantité de bois qui convient à ce produit, voir la consommation moyenne de combustible (Fig. 4). Fermez la porte du foyer après l'ajout. Il est recommandé de régler le contrôle de l'air sur la position optimale à la puissance nominale (Fig. B, B1). N'ajoutez rien tant que le bois n'est pas réduit en braises.

### 4 Fin du chauffage

Une fois que le bois est consommé, mettez la Commande d'air en air en position fermée. Vous éviterez ainsi toute fuite indésirable de la chaleur accumulée dans la cheminée/à l'extérieur (Fig. A).



- 1** préparation du combustible pour l'allumage
- 2** empilage du bois dans le foyer
- 3** allumage du bois par le haut
- 4** chargement



- A** fermée
- B** ouverte – chauffage à la puissance nominale (fonctionnement optimal)
- C** ouverte – position lors du premier allumage du feu (mise en service du produit)

- A** fermée
- B1** ouverte – chauffage à la puissance nominale (fonctionnement optimal)
- B2** ouverte – air primaire fermé
- C** ouverte – position lors du premier allumage du feu (mise en service du produit)

**Caractéristiques déclarées du produit**

|   |                                    |                         |                      |                         |
|---|------------------------------------|-------------------------|----------------------|-------------------------|
| Norme(s) Européennes  | ✓ EN 13240<br>EN 13229             | EN 16510<br>✓ Ecodesign | ✓ DIN+<br>✓ BImSchV2 | DIBt<br>✓ 15a B-VG 2015 |
| Classification de l'appareil  | Type BE                            |                         |                      |                         |
| Rendement énergétique ( $\eta_{nom}$ )  | 80,6 %                             |                         |                      |                         |
| L'indice d'efficacité énergétique EEI   | 106,9                              |                         |                      |                         |
| Label énergétique   | A                                  |                         |                      |                         |
| Combustible   | Bûches                             |                         |                      |                         |
| Longueur recommandée de bûches  | 200-330 mm                         |                         |                      |                         |
| Consommation moyenne de combustible   | 1,69 kg/h                          |                         |                      |                         |
| Charge en bois autorisé   | 2,3 kg/h                           |                         |                      |                         |
| Intervalle entre les chargements de combustible   | 1 heure                            |                         |                      |                         |
| Débit massique des fumées   | 21,4 m <sup>3</sup> /h             |                         |                      |                         |
| Puissance nominale ( $P_{nom}$ )  | 5,8 kW                             |                         |                      |                         |
| Puissance nominale de l'échangeur ( $P_{Wnom}$ )  | ---                                |                         |                      |                         |
| Suppression maximale de fonctionnement ( $p_w$ )  | ---                                |                         |                      |                         |
| Débit massique des gaz de combustion secs pour le calcul des gaz de combustion                          | 6,9 g/s                            |                         |                      |                         |
| Température moyenne des résidus de combustion ( $T_{nom}$ )   | 261 °C                             |                         |                      |                         |
| Température moyenne des résidus de combustion derrière la sortie  | 307 °C                             |                         |                      |                         |
| Tirage de conduit de fumée ( $p_{nom}$ )  | 12 Pa                              |                         |                      |                         |
| Classe de température   | T400                               |                         |                      |                         |
| Raccordement à une cheminée collective  | Oui                                |                         |                      |                         |
| Stockage du combustible dans range bûches   | Non                                |                         |                      |                         |
| Réchauffement maximal du bois dans range bûches   | ---                                |                         |                      |                         |
| Poussière O <sub>2</sub> = 13 % ( $PM_{nom}$ )  | 26 mg/Nm <sup>3</sup>              |                         |                      |                         |
| Résidu de combustion émis (CO dans les résidus de combustion pour O <sub>2</sub> = 13 %) ( $CO_{nom}$ ) | 0,0689 %<br>862 mg/Nm <sup>3</sup> |                         |                      |                         |
| OGC O <sub>2</sub> = 13 % ( $OGC_{nom}$ )   | 50 mg/Nm <sup>3</sup>              |                         |                      |                         |
| NOx O <sub>2</sub> = 13 % ( $NO_{Xnom}$ )   | 114 mg/Nm <sup>3</sup>             |                         |                      |                         |
| Régulation automatique de la combustion   | ---                                |                         |                      |                         |
| La consommation d'électricité ( W )   | ---                                |                         |                      |                         |
| Standing air loss (V <sub>h</sub> )   | ---                                |                         |                      |                         |
| Fonctionnement par intermittence (INT) / Service ininterrompu (CON)                                     | INT                                |                         |                      |                         |

**Données techniques de base**

|  |                  |                 |
|--|------------------|-----------------|
| Dimensions principales<br>Hauteur (H)   Largeur (W)   Profondeur (L)                 | 1058   900   380 | mm              |
| Dimensions de la chambre de combustion<br>Hauteur (H)   Largeur (W)   Profondeur (L) | 357   344   276  | mm              |
| Dimensions de la porte (du foyer)<br>Hauteur (H)   Largeur (W)   Profondeur (L)      | ---   ---   ---  | mm              |
| Hauteur de l'axe de la sortie arrière (latérale)                                     | 947              | mm              |
| Volume de l'échangeur de chaleur   | ---              | l               |
| Diamètre du conduit de fumée   | 150              | mm              |
| Diamètre de buse d'air de combustion ( $D_{out}$ )                                   | 150              | mm              |
| Diamètre de l'arrivée d'air centrale   | 125              | mm              |
| Poids  | 131              | kg              |
| Zone de la grille de ventilation d'entrée  | ---              | cm <sup>2</sup> |
| Zone de la grille de ventilation de sortie   | ---              | cm <sup>2</sup> |

**Distance par rapport aux matériaux combustibles**

pour un conduit de fum. non isolé (conform. aux la plaque signalétique)

Note

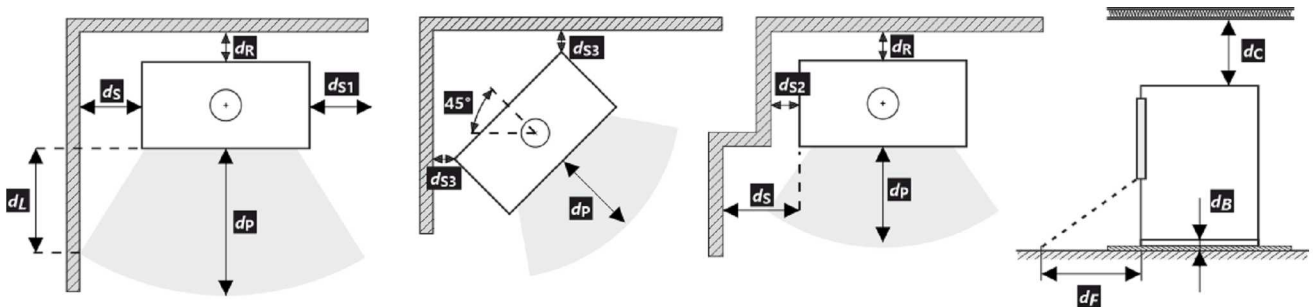
|  |      |    |
|--|------|----|
| Arrière ( $d_R$ )                      | 200  | mm |
| Avant ( $d_P$ )                        | 1300 | mm |
| Avant (par rapport au sol) ( $d_F$ )   | ---  | mm |
| Latéral ( $d_S$ )                      | 250  | mm |
| Latéral avec vitre ( $d_{S1}$ )        | ---  | mm |
| Latéral – niche ( $d_{S2}$ )           | ---  | mm |
| Latéral – emplacement 45° ( $d_{S3}$ ) | ---  | mm |
| Rayonnement latéral ( $d_L$ )          | ---  | mm |
| Depuis le sol ( $d_B$ )                | ---  | mm |
| Plafond ( $d_C$ )                      | 800  | mm |

**Distance par rapport aux matériaux combustibles pour un conduit de fumée isolé \*\***

|                   |     |    |
|-------------------|-----|----|
| Arrière ( $d_R$ ) | --- | mm |
| Latéral ( $d_S$ ) | --- | mm |

**Distance par rapport aux matériaux non combustibles**

|                   |     |    |
|-------------------|-----|----|
| Arrière ( $d_R$ ) | --- | mm |
| Latéral ( $d_S$ ) | --- | mm |



\* Lors de l'installation et de l'utilisation du produit, toutes les réglementations locales doivent être respectées, y compris celles relatives aux normes nationales et européennes.

\*\* La distance suppose l'utilisation d'un conduit de fumée isolé avec une épaisseur d'isolation minimale de 25 mm jusqu'au produit.

**Avertissement**

Si les produits sont installés dans des zones où l'air est aspiré par des ventilateurs, des hottes, des équipements de chauffage ou de ventilation, il faut assurer une arrivée d'air central (AAC). Avant d'un nouveau chargement, éteignez tous les appareils de ventilation de votre maison.

Le produit doit être installé sur des sols présentant une capacité de charge adéquate.

Un accès adéquat pour le nettoyage et l'entretien de votre produit, du conduit de fumée et de la cheminée doit être prévu lors de l'installation, à moins que le produit puisse être nettoyé depuis un autre endroit tel que le toit ou une porte dédiée.

Le produit et ses conduits de fumée doivent être régulièrement et soigneusement revérifiés et nettoyés avant et après la saison de chauffage.



Veillez lire attentivement les instructions générales.

## La plaque signalétique du produit

**1** LOGO

**2** Company  
WEB

**3** CE 23

**4** TYPE  
THE MODEL NUMBER

**5** Room heater for residential buildings – with water heating.  
Raumheizung für Wohngebäude – mit Warmwasserbereitung.  
Chauffage des locaux pour les bâtiments résidentiels – avec chauffage de l'eau.  
Riscaldatore della stanza per edifici residenziali – con riscaldamento dell'acqua.

**6** Use only these recommended fuels. | Verwenden Sie nur diese empfohlenen Brennstoffe.  
N'utilisez que ces combustibles recommandés. | Usare solo questi carburanti raccomandati.  
Wood logs | Scheitholz | Büches | Legna

**7** Classification of appliance | Klassifizierung des Geräts | Classification  
de l'appareil | Classificazione dell'apparecchio Type B (1a)

**8** Standards | Normen  
Normes | Norme CSN EN 13240 / CSN EN 13229 | EN 16510-1 | Ecodesign | BimSchV2 | DIN+  
15a B VG 2015.

**9**

|                                    |                   |     |        |
|------------------------------------|-------------------|-----|--------|
| $P_{nom}$                          | kW                |     |        |
| $P_{wnom}$                         | kW                |     |        |
| $\eta_{nom}$                       | %                 |     | $\geq$ |
| $CO_{nom}$ (13 % O <sub>2</sub> )  | mg/m <sup>3</sup> |     | $\leq$ |
| $NO_{xnom}$ (13 % O <sub>2</sub> ) | mg/m <sup>3</sup> |     | $\leq$ |
| $OGC_{nom}$ (13 % O <sub>2</sub> ) | mg/m <sup>3</sup> |     | $\leq$ |
| $PM_{nom}$ (13 % O <sub>2</sub> )  | mg/m <sup>3</sup> |     | $\leq$ |
| $p_{nom}$                          | Pa                |     |        |
| $T_{nom}$                          | °C                |     |        |
| $V_h$                              | m <sup>3</sup> /h | NPD |        |
| $d_R$                              | mm                |     |        |
| $d_S$                              | mm                |     |        |
| $d_C$                              | mm                |     |        |
| $d_P$                              | mm                |     |        |
| $d_F$                              | mm                |     |        |
| H                                  | mm                |     |        |
| W                                  | mm                |     |        |
| L                                  | mm                |     |        |
| CON, INT                           |                   |     |        |
| $d_{out}$                          | mm                |     |        |
| $p_w$                              | bar               |     |        |
| W                                  | W                 | NPD |        |

**10** Read and follow assembly and instructions manual. Use only recommended fuel. Not for continuous heating. Information about the connection in a shared flue can be found in the Installation instruction.  
Lesen und befolgen Sie der Aufstellungs- und Bedienungsanleitung. Verwenden Sie nur vorgeschriebene Brennstoffe. Die Feuerstätte ist für Zeitbrand geeignet. Informationen über den Anschluss an einen gemeinsamen Schornstein finden Sie in der Installationsanleitung.  
Veuillez lire et suivre attentivement le Mode d'emploi avant de procéder à la première mise en chauffe. N'utilisez que du combustible recommandé. L'appareil n'est pas conçu pour un chauffage continu. Les informations concernant le raccordement dans un conduit de fumée commun se trouvent dans le Mode d'emploi.  
Leggere e seguire il manuale di montaggio e istruzioni. Usare solo il combustibile raccomandato. Non per il riscaldamento continuo. Le informazioni sul collegamento in una canna fumaria comune si trovano nelle Istruzioni per l'installazione.

**11** STORCH  
WERK ROMOTOP  
BEANTRAGT /  
Z - 43.12 - 349  
SZU, NB 1015 /  
RRF, NB 1625

**12** DOP/CPR doc.

**13** Serial number | Fertigungsnummer  
Numéro de série | Numero di serie

**14** NUMBER

1. Le nom du fabricant ou la marque déposée
2. Siège social, site web
3. Marque de conformité CE  
Les chiffres indiquent l'année de délivrance du certificat
4. Type, numéro ou désignation du modèle permettant d'identifier le produit
5. Caractéristiques du produit
6. Combustibles recommandés
7. Classification de l'appareil  
Type B (EN 16510-10), 1a (désignation en vigueur)
8. Normes en vigueur
9. Tableau des valeurs

$P_{nom}$  – puissance nominale  
 $P_{wnom}$  – puissance nominale de l'échangeur  
 $\eta_{nom}$  – rendement énergétique  
 $CO_{nom}$  – émissions de CO à 13 % d'O<sub>2</sub>  
 $NO_{xnom}$  – NO<sub>x</sub> à 13 % d'O<sub>2</sub>  
 $OGC_{nom}$  – OGC à 13 % d'O<sub>2</sub>  
 $PM_{nom}$  – dust à 13 % d'O<sub>2</sub>  
 $p_{nom}$  – tirage de conduit de fumée  
 $T_{nom}$  – température de sortie des résidus de combustion  
 $V_h$  – standing air loss

**Distance aux matériaux combustibles:**

$d_R$  – arrière  
 $d_S$  – latéral  
 $d_C$  – plafond

$d_P$  – avant  
 $d_F$  – avant (par rapport au sol)

**Dimensions principales:**

H – hauteur  
W – largeur  
L – profondeur  
CON – l'appareil est apte à un service ininterrompu  
INT – l'appareil est apte à un fonctionnement par intermittence  
 $D_{out}$  – diamètre de buse d'air de combustion  
 $p_w$  – surpression maximale de fonctionnement  
W – la consommation d'électricité (SIC, EHC)  
NPD (No Performance Determined) – une abréviation internationale qui peut être utilisée lorsqu'aucune propriété ou paramètre n'est spécifié. L'étiquette est conforme au règlement de l'UE n° 305/2011.

10. Instructions
11. Certification RLU (DIBt), les informations relatives à la certification doivent être remplies:  
Société  
Numero de certificat  
Laboratoire d'essai où la certification a eu lieu
12. Document de déclaration de performance
13. Numéro de série
14. Code barre



In fase di montaggio del prodotto, è necessario rispettare tutte le prescrizioni in vigore, comprese le disposizioni inerenti alle norme nazionali ed europee. Le operazioni di montaggio e installazione del prodotto possono essere eseguite solo da un rivenditore autorizzato **Romotop spol. s r.o.**, ai fini della validità della garanzia e del corretto funzionamento del prodotto. Il presente prodotto non è idoneo come fonte principale di calore per impianti di riscaldamento.

### Istruzioni per l'uso

Si prega di prendere in considerazione le informazioni e le istruzioni riportate nel manuale d'uso.

### Tiraggio d'esercizio della canna fumaria

Tiraggio d'esercizio 12 Pa. Tiraggio d'esercizio massimo 20 Pa. Il tiraggio va misurato con il prodotto in funzione a pieno regime. Consigliamo di installare un regolatore del tiraggio. Si tratta di un accorgimento particolarmente indispensabile in caso di installazione di gestione automatica della combustione.

### Combustibile approvato

Pezzi di legna secca con umidità residua massima del 20 %. È sempre necessario rispettare il consumo medio di combustibile – 1,69 kg/h. La lunghezza raccomandata è di circa 200-330 mm. Dipende dalle dimensioni della camera di combustione. Usare sempre almeno 2 pezzi di legna.

### Utilizzo del prodotto

#### 1 Bruciatura della vernice del prodotto

Effettuare la prima accensione del fuoco con una quantità piuttosto esigua di legna (circa ½ della dose media). Lasciare lo sportello socchiuso (circa 2 cm) per evitare che la cordicella dello sportello si attacchi alla vernice. Quindi, aprire al massimo l'afflusso dell'aria (Fig. C). Seguendo i consigli sopra riportati, in fase di accensione si evitano danni e deformazioni dei materiali. Una volta che la legna diventa brace, si può passare alla fase successiva di combustione. Caricare il focolare con la quantità di combustibile dose ammessa. Lasciare lo sportello leggermente aperto (circa 2 cm). È necessario che la vernice sotto lo sportello si indurisca sufficientemente. Una volta esaurito questo lotto, effettuare almeno altre 2-3 ricariche con la quantità di combustibile dose ammessa, ma adesso già con lo sportello chiuso e con l'afflusso dell'aria aperto al massimo (Fig. C). Durante la combustione della vernice, sentirete per tutto il tempo del cattivo odore. Questa operazione va pertanto eseguita solo se è assicurata una sufficiente aerazione del locale.

#### 2 Avvio della combustione

Impostare il dispositivo di comando dell'afflusso dell'aria in posizione aperta (Fig. C), a meno che non vi sia la gestione automatica della combustione. Aprire la griglia in ghisa, se presente. Per l'accensione del fuoco, utilizzare al max. il doppio della quantità consumo medio di combustibile. Sul fondo del focolare, collocare innanzitutto tronchetti di grandi dimensioni e poi, sopra di essi, pezzi di legna secca

più piccoli (Fig. 2) – incendiare il legna dall'alto. Per accendere il fuoco, si prega di utilizzare un accendifuoco adeguato. Se necessario (per esempio se non si riesce ad accendere il fuoco come si deve), lasciare lo sportello aperto per un po' di tempo (circa 2 cm), in modo da fare entrare aria a sufficienza all'interno. Successivamente, durante il normale utilizzo, lasciare lo sportello chiuso. Durante la fase di accensione, non aggiungere combustibile finché la fiamma non si estingue.

#### 3 Riscaldamento e aggiunta del combustibile

Quando si aggiunge la legna, lasciare lo sportello del focolare aperto di circa 2 cm e attendere circa 10 s finché la pressione nell'apparecchio non si bilancia. In questo modo, si eviteranno inutili fuoriuscite di cenere e fumo nella stanza. Inserire sempre e solo la quantità di legna adatta per il prodotto in questione – vedi consumo medio di combustibile (Fig. 4). Dopo aver aggiunto il carburante, chiudere di nuovo lo sportello. Consigliamo di impostare il dispositivo di regolazione dell'aria nella posizione ottimale, con potenza termica nominale (Fig. B, B1). Non aggiungere legna finché quella già presente non diventa brace.

#### 4 Fine del riscaldamento

Quando il combustibile nel focolare non arde più, chiudere il dispositivo di controllo dell'aria. Chiudendo il dispositivo di controllo dell'aria, si evita la fuoriuscita indesiderata di calore non accumulato verso la canna fumaria (Fig. A).



- 1** preparazione del combustibile per l'accensione iniziale
- 2** inserimento iniziale della legna nel focolare
- 3** incendiare il legna dall'alto
- 4** aggiunta della legna



- A** chiuso
- B** aperto – riscaldamento a potenza nominale (funzionamento ottimale)
- C** aperto – posizione durante il riscaldamento (avvio dell'unità)

- A** chiuso
- B1** aperto – riscaldamento a potenza nominale (funzionamento ottimale)
- B2** aperto – aria primaria chiusa
- C** aperto – posizione durante il riscaldamento (avvio dell'unità)

**Proprietà dichiarate del prodotto**

|  |                                    |                         |                      |                         |
|--|------------------------------------|-------------------------|----------------------|-------------------------|
| Specificazioni tecniche armonizzate  | ✓ EN 13240<br>EN 13229             | EN 16510<br>✓ Ecodesign | ✓ DIN+<br>✓ BImSchV2 | DIBt<br>✓ 15a B-VG 2015 |
| Classificazione del prodotto   | Type BE                            |                         |                      |                         |
| Efficienza energetica ( $\eta_{nom}$ )   | 80,6 %                             |                         |                      |                         |
| Indice di efficienza prodotto  | 106,9                              |                         |                      |                         |
| Etichetta energetica   | A                                  |                         |                      |                         |
| Combustibile   | Legna                              |                         |                      |                         |
| Combustibile – lunghezza   | 200-330 mm                         |                         |                      |                         |
| Consumo medio di combustibile  | 1,69 kg/h                          |                         |                      |                         |
| Dose ammessa di combustibile   | 2,3 kg/h                           |                         |                      |                         |
| Intervallo di aggiunta di combustibile   | 1 ora                              |                         |                      |                         |
| Quantità di aria di combustione  | 21,4 m <sup>3</sup> /h             |                         |                      |                         |
| Protenza nominale ( $P_{nom}$ )  | 5,8 kW                             |                         |                      |                         |
| Protenza nominale dello scambiatore di acqua calda ( $P_{Wnom}$ )                    | ---                                |                         |                      |                         |
| Sovrappressione massima di funzionamento ( $p_w$ )                                   | ---                                |                         |                      |                         |
| Portata dei fumi di scarico secchi per il calcolo delle condotte dei fumi di scarico | 6,9 g/s                            |                         |                      |                         |
| Temperatura dei gas combusti alla potenza calorica nominale ( $T_{nom}$ )            | 261 °C                             |                         |                      |                         |
| Temp. media dei gas di scarico al collo alla potenza termica nominale                | 307 °C                             |                         |                      |                         |
| Tiro di esercizio ( $p_{nom}$ )  | 12 Pa                              |                         |                      |                         |
| Classe di temperatura del camino   | T400                               |                         |                      |                         |
| Collegamento al camino collettivo  | Sì                                 |                         |                      |                         |
| Stoccaggio del combustibile nell'area della stufa a legna                            | No                                 |                         |                      |                         |
| Riscaldamento massimo della legna nella stufa a legna                                | ---                                |                         |                      |                         |
| Polvere O <sub>2</sub> = 13 % ( $PM_{nom}$ )   | 26 mg/Nm <sup>3</sup>              |                         |                      |                         |
| Emissioni (CO nei gas comburenti all' O <sub>2</sub> = 13 %) ( $CO_{nom}$ )          | 0,0689 %<br>862 mg/Nm <sup>3</sup> |                         |                      |                         |
| OGC O <sub>2</sub> = 13 % ( $OGC_{nom}$ )  | 50 mg/Nm <sup>3</sup>              |                         |                      |                         |
| NOx O <sub>2</sub> = 13 % ( $NO_{Xnom}$ )  | 114 mg/Nm <sup>3</sup>             |                         |                      |                         |
| Controllo automatico della combustione   | ---                                |                         |                      |                         |
| Consumo di energia elettrica (W)   | ---                                |                         |                      |                         |
| Perdita d'aria in piedi ( $V_h$ )  | ---                                |                         |                      |                         |
| Funzionamento intermittente (INT) / Funzionamento continuo (CON)                     | INT                                |                         |                      |                         |

**Dati tecnici di base**

|   |                  |                 |
|---|------------------|-----------------|
| Dimensioni principali<br>Altezza (H)   Larghezza (W)   Profondità (L)                   | 1058   900   380 | mm              |
| Dimensioni della camera di combustione<br>Altezza (H)   Larghezza (W)   Profondità (L)  | 357   344   276  | mm              |
| Dimensioni dello sportello del focolare<br>Altezza (H)   Larghezza (W)   Profondità (L) | ---   ---   ---  | mm              |
| Altezza dell'asse dell'uscita posteriore (laterale)                                     | 947              | mm              |
| Volume dello scambiatore di acqua calda   | ---              | l               |
| Diametro del condotto fumario   | 150              | mm              |
| Diametro del gola della canna fumaria ( $D_{out}$ )                                     | 150              | mm              |
| Diametro dell'afflusso centralizzato di aria  | 125              | mm              |
| Peso  | 131              | kg              |
| Superficie della griglia di aerazione d'ingresso  | ---              | cm <sup>2</sup> |
| Superficie della griglia di aerazione d'uscita  | ---              | cm <sup>2</sup> |

**Distanza di materiali infiammabili**

con canna fumaria non isolata (indicato sull'etichetta di produzione)

Nota

|   |      |    |
|---|------|----|
| Posteriore ( $d_R$ )                        | 200  | mm |
| Anteriore ( $d_P$ )                         | 1300 | mm |
| Anteriore (rispetto al pavimento) ( $d_F$ ) | ---  | mm |
| Laterali ( $d_S$ )                          | 250  | mm |
| Vetrata laterale ( $d_{S1}$ )               | ---  | mm |
| Laterali – nicchia ( $d_{S2}$ )             | ---  | mm |
| Laterali – posizione 45° ( $d_{S3}$ )       | ---  | mm |
| Radiazione laterale ( $d_L$ )               | ---  | mm |
| Dal pavimento ( $d_B$ )                     | ---  | mm |
| Dal soffitto ( $d_C$ )                      | 800  | mm |

**Distanza di materiali infiammabili con canna fumaria isolata**

\*\*

|                      |     |    |
|----------------------|-----|----|
| Posteriore ( $d_R$ ) | --- | mm |
| Laterali ( $d_S$ )   | --- | mm |

**Distanza di materiali non infiammabili**

|                      |     |    |
|----------------------|-----|----|
| Posteriore ( $d_R$ ) | --- | mm |
| Laterali ( $d_S$ )   | --- | mm |



\* Durante il montaggio e l'uso del prodotto, devono essere rispettate tutte le normative locali, incluse le norme nazionali ed europee.

\*\* La distanza presuppone l'utilizzo di una canna fumaria isolata con uno spessore minimo di isolamento di 25 mm fino al prodotto.

**Avvertimento**

Se i prodotti sono installati in aree in cui l'aria viene estratta da ventilatori, cappe, apparecchiature di ventilazione, riscaldamento o ventilazione, è necessario prevedere un'alimentazione d'aria sufficiente (alimentazione centrale dell'aria). Spegnerne tutti i dispositivi di ventilazione presenti in casa prima di pianificare una nuova costruzione.

Il prodotto deve essere installato su pavimenti con una capacità di carico adeguata.

Durante l'installazione è necessario garantire un accesso adeguato per la pulizia e la manutenzione del prodotto, della canna fumaria e del camino, a meno che il prodotto non possa essere pulito da un'altra posizione, come il tetto o una porta dedicata.

Il prodotto e i suoi percorsi dei gas di scarico devono essere regolarmente e accuratamente controllati e puliti prima e dopo la stagione di riscaldamento.



Leggere attentamente le istruzioni generali.

## Targhetta di produzione

|    |  |                   |   |        |
|----|--|-------------------|---|--------|
| 1  | LOGO   | CE 23             | TYPE  | 4      |
| 2  | Company<br>WEB   |                   | THE MODEL NUMBER  |        |
| 5  | Room heater for residential buildings – with water heating.<br>Raumheizung für Wohngebäude – mit Warmwasserbereitung.<br>Chauffage des locaux pour les bâtiments résidentiels – avec chauffage de l'eau.<br>Riscaldatore della stanza per edifici residenziali – con riscaldamento dell'acqua. |                   |   |        |
| 6  | Use only these recommended fuels.   Verwenden Sie nur diese empfohlenen Brennstoffe.<br>N'utilisez que ces combustibles recommandés.   Usare solo questi carburanti raccomandati.<br>Wood logs   Scheitholz   Bûches   Legna   |                   |   |        |
| 7  | Classification of appliance   Klassifizierung des Geräts   Classification<br>de l'appareil   Classificazione dell'apparecchio Type B (1a)  |                   |   |        |
| 8  | Standards   Normen<br>Normes   Norme CSN EN 13240 / CSN EN 13229   EN 16510-1   Ecodesign   BimSchV2   DIN+<br>15a B VG 2015.  |                   |   |        |
| 9  | $P_{nom}$  | kW                | Read and follow assembly and instructions manual. Use only recommended fuel. Not for continuous heating. Information about the connection in a shared flue can be found in the Installation instruction.<br>Lesen und befolgen Sie der Aufstellungs- und Bedienungsanleitung. Verwenden Sie nur vorgeschriebene Brennstoffe. Die Feuerstätte ist für Zeitbrand geeignet. Informationen über den Anschluss an einen gemeinsamen Schornstein finden Sie in der Installationsanleitung.<br>Veuillez lire et suivre attentivement le Mode d'emploi avant de procéder à la première mise en chauffe. N'utilisez que du combustible recommandé. L'appareil n'est pas conçu pour un chauffage continu. Les informations concernant le raccordement dans un conduit de fumée commun se trouvent dans le Mode d'emploi.<br>Leggere e seguire il manuale di montaggio e istruzioni. Usare solo il combustibile raccomandato. Non per il riscaldamento continuo. Le informazioni sul collegamento in una canna fumaria comune si trovano nelle Istruzioni per l'installazione. | 10     |
|    | $P_{Wnom}$   | kW                |   |        |
|    | $\eta_{nom}$   | %                 |   | $\geq$ |
|    | $CO_{nom}$ (13 % O <sub>2</sub> )  | mg/m <sup>3</sup> |   | $\leq$ |
|    | $NO_{xnom}$ (13 % O <sub>2</sub> )   | mg/m <sup>3</sup> |   | $\leq$ |
|    | $OGC_{nom}$ (13 % O <sub>2</sub> )   | mg/m <sup>3</sup> |   | $\leq$ |
|    | $PM_{nom}$ (13 % O <sub>2</sub> )  | mg/m <sup>3</sup> |   | $\leq$ |
|    | $p_{nom}$  | Pa                |   |        |
|    | $T_{nom}$  | °C                |   |        |
|    | $V_h$  | m <sup>3</sup> /h |   | NPD    |
|    | $d_R$  | mm                |   |        |
|    | $d_S$  | mm                |   |        |
|    | $d_C$  | mm                |   |        |
|    | $d_P$  | mm                |   |        |
|    | $d_F$  | mm                |   |        |
|    | H  | mm                |   |        |
|    | W  | mm                |   |        |
|    | L  | mm                |   |        |
|    | CON, INT   |                   |   |        |
|    | $d_{out}$  | mm                |   |        |
|    | $p_w$  | bar               |   |        |
|    | W  | W                 | NPD   |        |
| 12 | DOP/CPR  |                   | doc.  |        |
| 13 | Serial number   Fertigungsnummer<br>Numéro de série   Numero di serie  |                   |   |        |
|    |  |                   | 11  |        |
|    |  |                   | 14  |        |

- Nome del produttore o marchio registrato
- Sede aziendale, sito web
- Marchio di conformità CE  
Le cifre indicano l'anno di emissione del certificato
- Tipo, numero o designazione del modello per identificare il prodotto
- Specifiche del prodotto
- Combustibili consigliati
- Classificazione dei prodotti  
Type B (EN 16510), designazione di corrente 1a
- Norme applicabili
- Tabella dei valori

$P_{nom}$  – potenza nominale  
 $P_{Wnom}$  – potenza nominale dello scambiatore di calore  
 $\eta_{nom}$  – indice di efficienza prodotto  
 $CO_{nom}$  – emissioni di CO al 13 % di O<sub>2</sub>  
 $NO_{xnom}$  – NO<sub>x</sub> al 13 % di O<sub>2</sub>  
 $OGC_{nom}$  – OGC al 13 % di O<sub>2</sub>  
 $PM_{nom}$  – polvere al 13 % di O<sub>2</sub>  
 $p_{nom}$  – tiro di esercizio  
 $T_{nom}$  – temperatura dei gas combusti  
 $V_h$  – perdita d'aria in piedi

**Distanza da materiali infiammabili:**

$d_R$  – posteriore  
 $d_S$  – laterali

$d_C$  – dal soffitto  
 $d_P$  – anteriore  
 $d_F$  – anteriore (rispetto al pavimento)

**Dimensioni principali:**

H – altezza  
W – larghezza  
L – profondità  
CON – Il prodotto è adatto al funzionamento continuo  
INT – Il prodotto è adatto al funzionamento intermittente  
 $D_{out}$  – diametro del gola della canna fumaria  
 $p_w$  – sovrappressione massima di funzionamento  
W – consumo di energia elettrica (gestione aut. SIC, EHC)  
NPD (No Performance Determined) – un'abbreviazione internazionale che può essere utilizzata quando non sono specificati proprietà o parametri. La marcatura è conforme al Regolamento UE 305/2011.

- Istruzioni
- Certificazione RLU (DIBt), devono essere compilate le informazioni per la certificazione:  
Azienda  
Numero di certificato  
Laboratorio di prova in cui si è svolta la certificazione
- Documento di Dichiarazione di Prestazione
- Numero di serie
- Codice a barre

**EN Product sheet under Regulation EU 2015/1186**

|   |                      |
|---|----------------------|
| Supplier's name or trademark                            | Romotop spol. s r.o. |
| Supplier's model identifier                             | TEON P 03            |
| The energy efficiency class of the model                | A                    |
| The direct heat output in (kW)                          | 5,8                  |
| The indirect heat output in (kW)                        | -                    |
| The energy efficiency index EEI                         | 106,9                |
| The useful energy efficiency at nominal heat output (%) | 80,6                 |
| The useful energy efficiency at minimum load (%)        | Pass                 |

Installation and maintenance instructions:

**Please read and follow the installation and operating instructions!**

**Distances to combustible components and fire protection must be observed!**

**Sufficient combustion air must be able to flow to the fireplace!**

**Heating devices with water technology may only be put into operation if all safety devices are operational and functional!**

**DE Produktdatenblatt gemäß Verordnung EU 2015/1186**

|  |                      |
|--|----------------------|
| Name oder Warenzeichen des Lieferanten     | Romotop spol. s r.o. |
| Modellkennung des Lieferanten              | TEON P 03            |
| Energieeffizienzklasse des Modells         | A                    |
| Direkte Wärmeleistung (kW)                 | 5,8                  |
| Indirekte Wärmeleistung (kW)               | -                    |
| Energieeffizienzindex EEI                  | 106,9                |
| Energieeffizienz bei Nennwärmeleistung (%) | 80,6                 |
| Energieeffizienz bei Mindestlast (%)       | Pass                 |

Hinweise zu Installation und Wartung:

**Bitte lesen und befolgen Sie die Aufstell- und Bedienungsanleitung!**

**Abstände zu brennbaren Bauteilen sowie Brandschutz müssen eingehalten werden!**

**Der Feuerstätte muss ausreichend Verbrennungsluft zuströmen können!**

**Heizgeräte mit Wassertechnik dürfen nur in Betrieb genommen werden, wenn alle Sicherheitseinrichtungen betriebsbereit und funktionsfähig sind!**

**FR Fiche produit selon la réglementation EU 2015/1186**

|   |                      |
|---|----------------------|
| Le nom du fournisseur ou la marque commerciale              | Romotop spol. s r.o. |
| La référence du modèle donnée par le fournisseur            | TEON P 03            |
| La classe d'efficacité énergétique du modèle                | A                    |
| La puissance thermique directe en (kW)                      | 5,8                  |
| La puissance thermique indirecte en (kW)                    | -                    |
| L'indice d'efficacité énergétique EEI                       | 106,9                |
| Le rendement utile à la puissance thermique nominale et (%) | 80,6                 |
| Le rendement utile à la puissance thermique minimale (%)    | Pass                 |

Instructions d'installation et d'entretien:

**Veuillez lire attentivement les instructions d'installation et d'utilisation et respecter les!**

**Les distances par rapport aux éléments combustibles et la protection contre le feu doivent être respectées!**

**L'air de combustion doit circuler en quantité suffisante dans le produit!**

**Le produit échangeur d'eau chaude ne doit être mis en service que si tous les dispositifs de sécurité sont fonctionnels!**

**IT Scheda prodotto secondo normativa EU 2015/1186**

|  |                      |
|--|----------------------|
| Nome oppure marchio del fornitore                            | Romotop spol. s r.o. |
| Codice prodotto del fornitore                                | TEON P 03            |
| Classe di efficienza energetica del modello                  | A                    |
| Potenza termica diretta in (kW)                              | 5,8                  |
| Potenza termica indiretta in (kW)                            | -                    |
| Indice di efficienza prodotto EEI                            | 106,9                |
| Efficienza del combustibile con potenza termica nominale (%) | 80,6                 |
| Efficienza del combustibile con carico minimo (%)            | Pass                 |

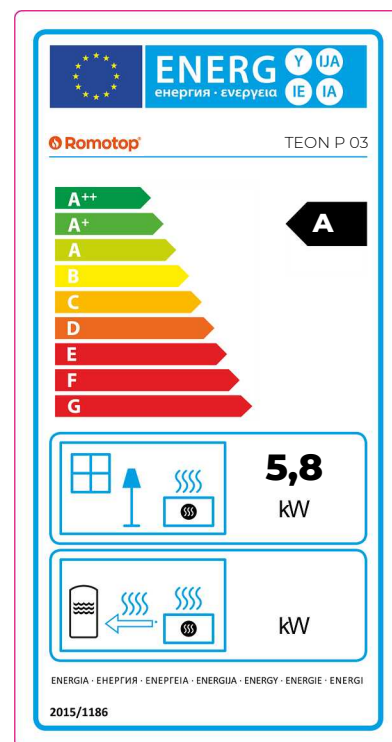
Istruzioni per l'installazione e la manutenzione:

**Leggere attentamente e seguire le istruzioni generali.**

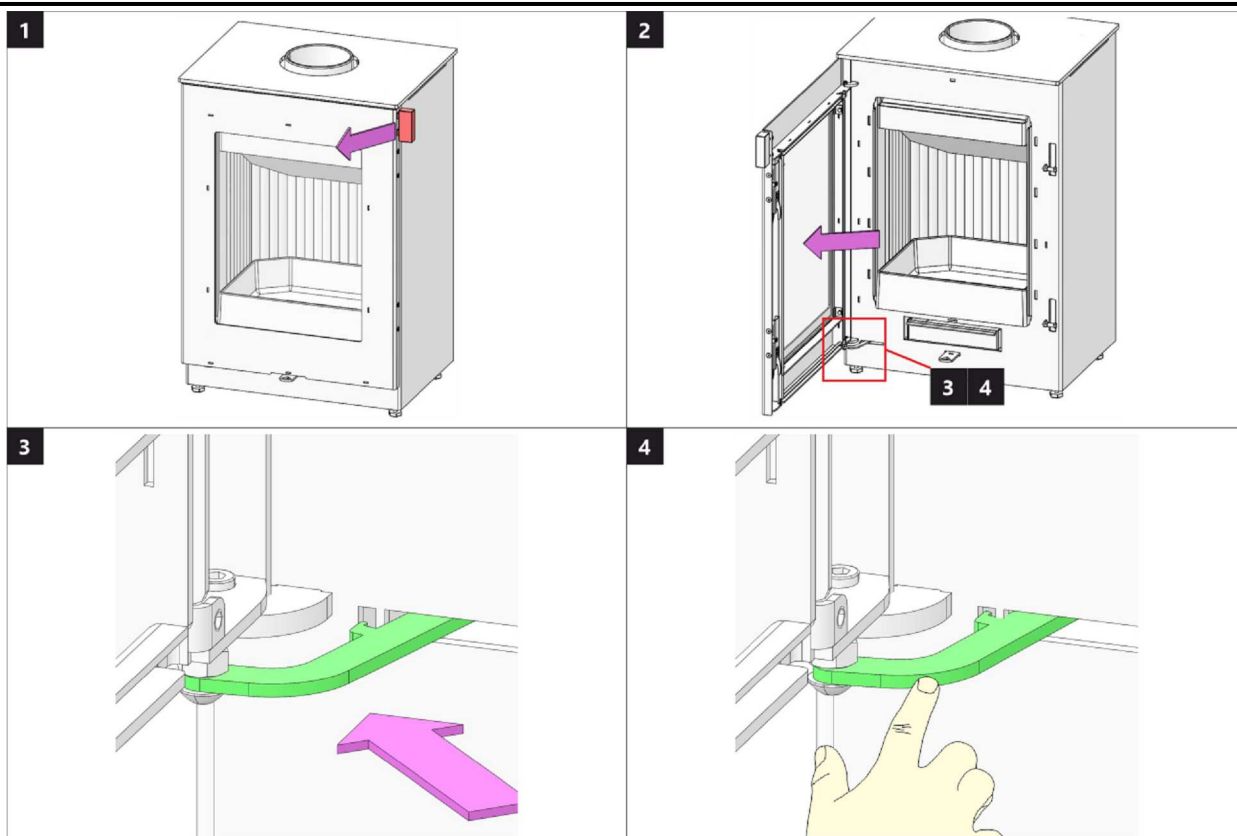
**Rispettare le distanze dai materiali combustibili e dalla protezione antincendio!**

**Nel prodotto deve affluire una quantità sufficiente di aria di combustione!**

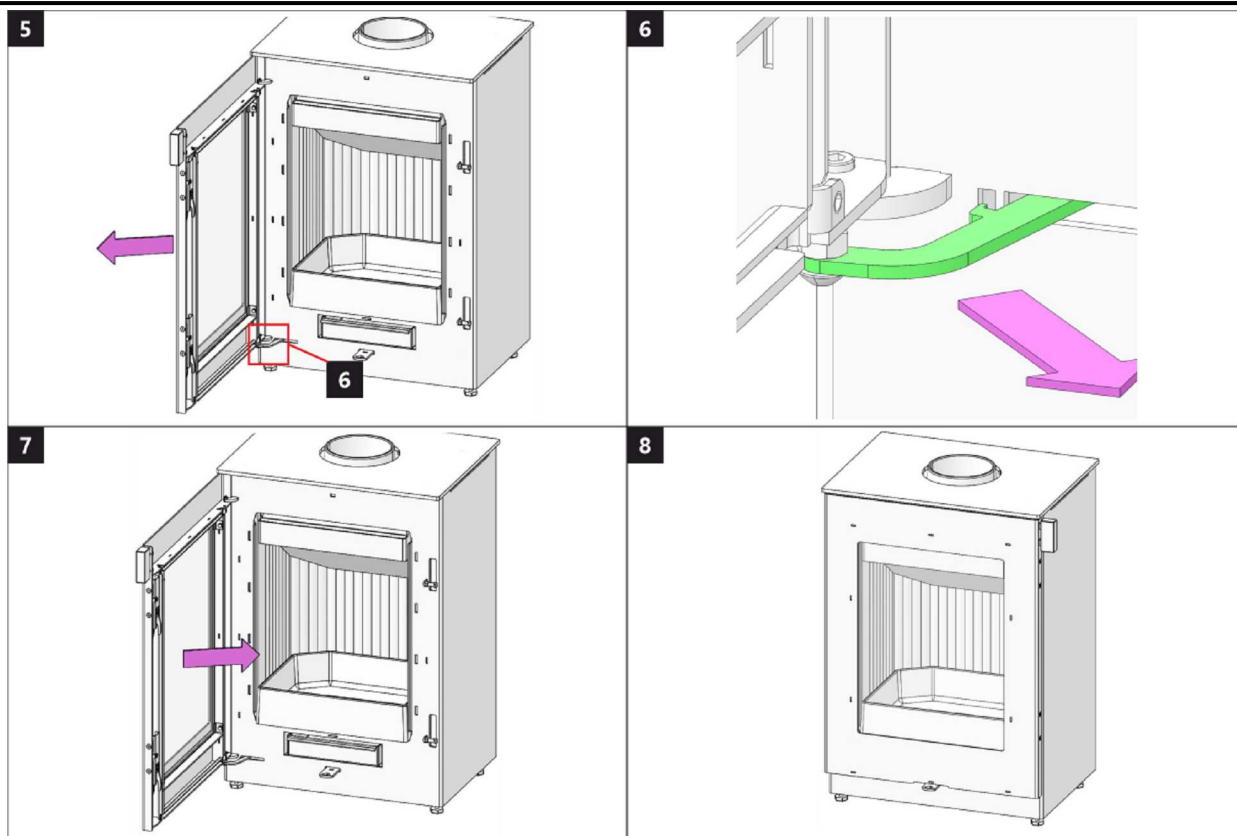
**Lo scambiatore di calore per acqua calda può essere messo in funzione solo se tutti i dispositivi di sicurezza sono funzionanti!**



Fireplace door – Locking mechanism 1 | Feuerraumtür – Arretierung 1  
 Porte du foyer – Mécanisme de verrouillage 1 | Sportello del focolare – Meccanismo di blocco 1

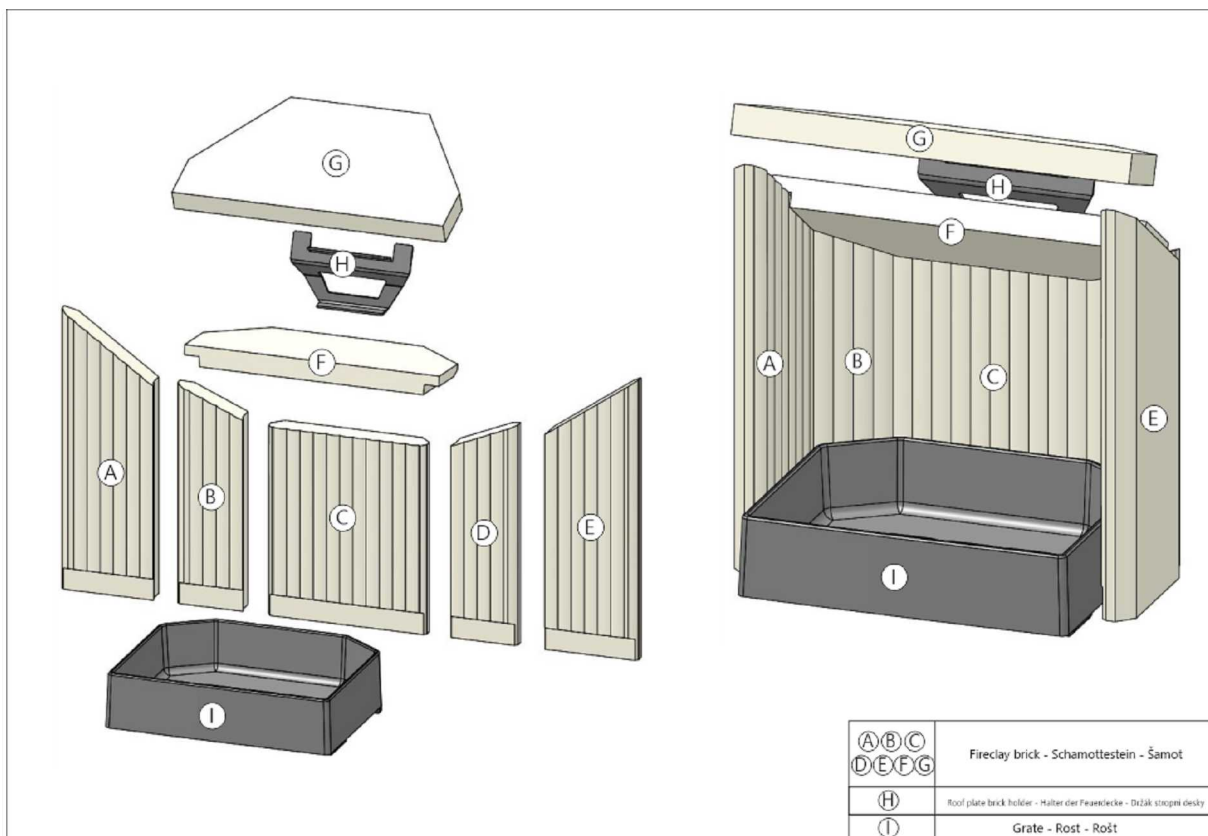


Fireplace door – Locking mechanism 2 | Feuerraumtür – Arretierung 2  
 Porte du foyer – Mécanisme de verrouillage 2 | Sportello del focolare – Meccanismo di blocco 2

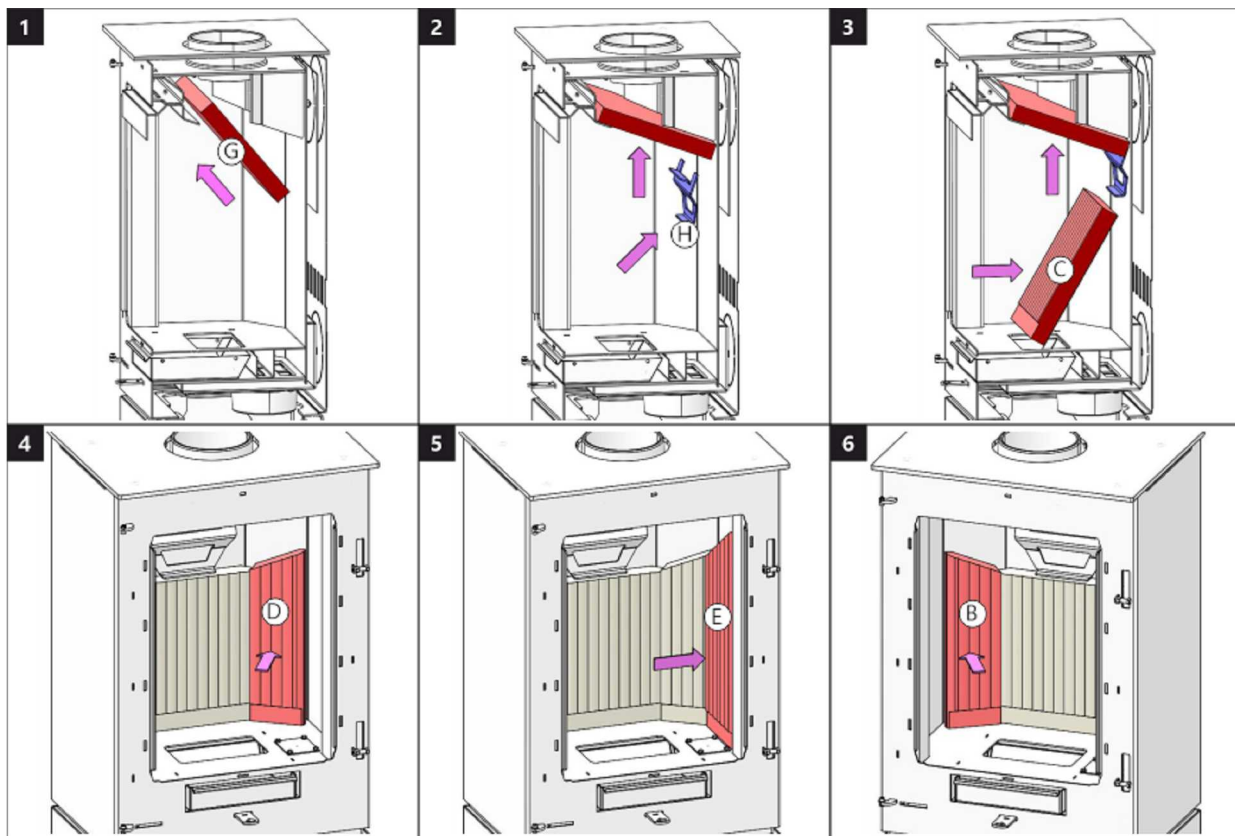




## Burning chamber 1 | Brennkammer 1 | Chambre de combustion 1 | Camera di combustione 1

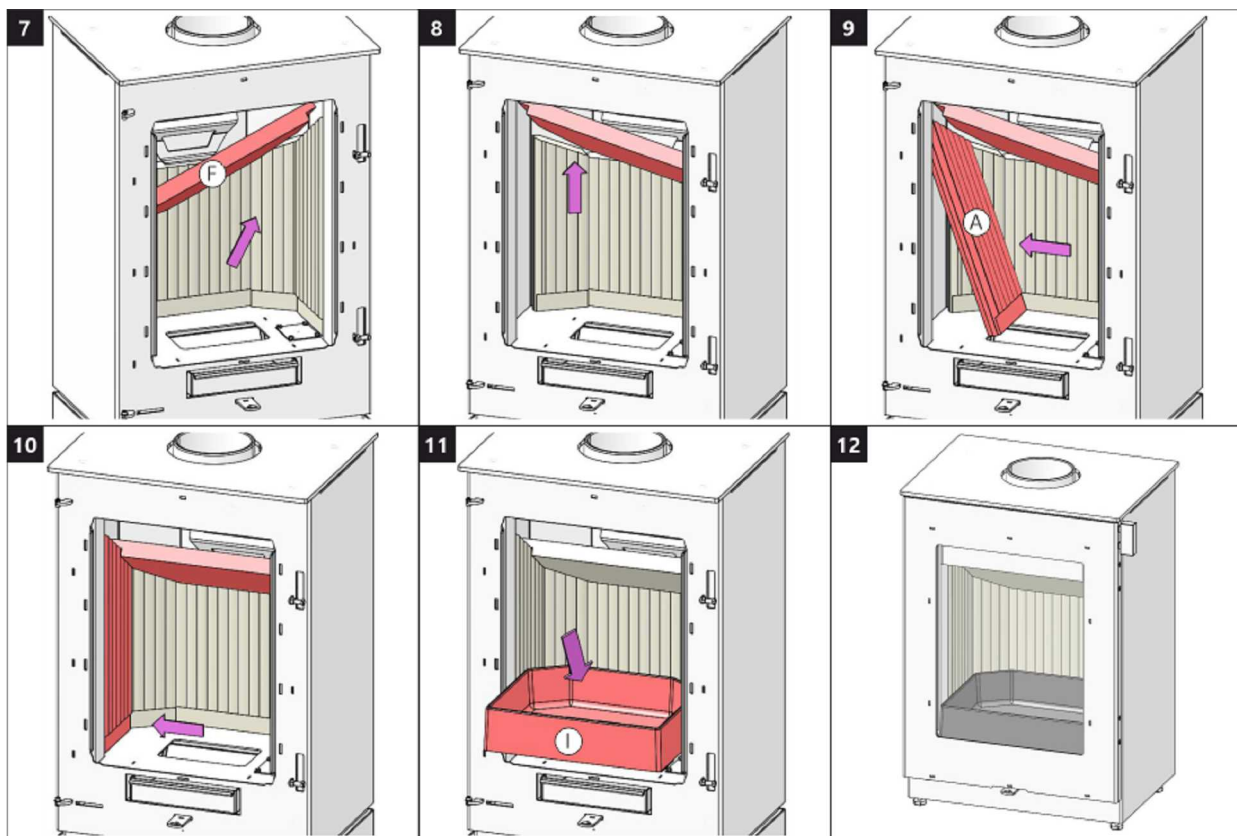


## Burning chamber 2 | Brennkammer 2 | Chambre de combustion 2 | Camera di combustione 2





Burning chamber 3 | Brennkammer 3 | Chambre de combustion 3 | Camera di combustione 3





ROMOTOP spol. s r. o.

Komenského 325  
742 01 Suchdol nad Odrou  
Czech Republic

[www.romotop.com](http://www.romotop.com)